

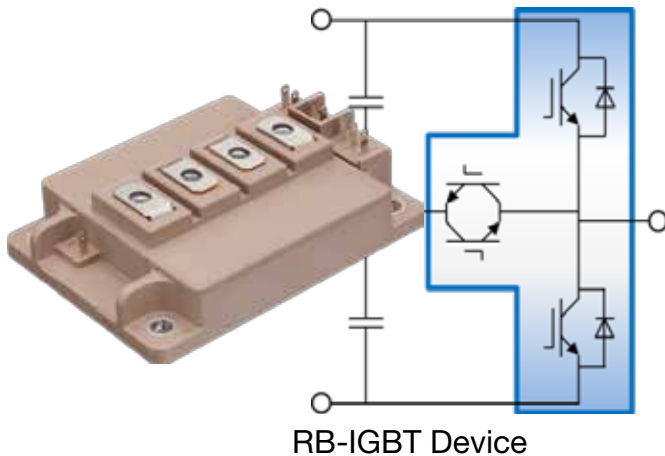
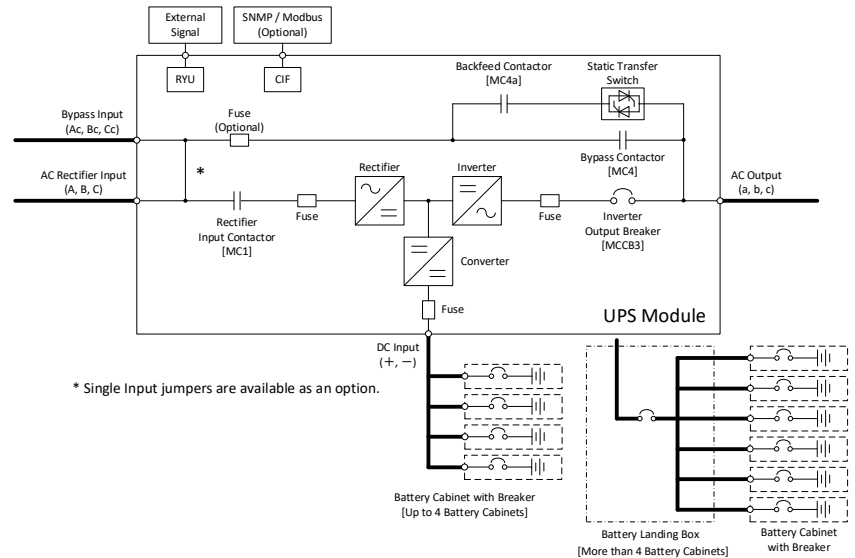
X-Series High Efficiency

Uninterruptible Power Supplies



Fuji Electric X-Series UPS Features

The X-Series UPSs are transformerless, true on-line, double-conversion units, engineered to be the most reliable, efficient, and flexible protection for your critical loads. Specifically designed for data centers, financial institutions, medical applications, co-locations and call centers, Fuji Electric is the UPS of choice for businesses large and small, all over the world.



Fuji Electric UPSs use AT-NPC (Advanced-Type Neutral-Point Clamping) featuring our exclusive RB-IGBT (reverse-bias integrated bi-polar transistor):

- Reduces conductive losses and reactor losses in a 3-level PWM circuit, increasing efficiency
- Reduces parts count, increasing reliability
- Proven technology since 2011

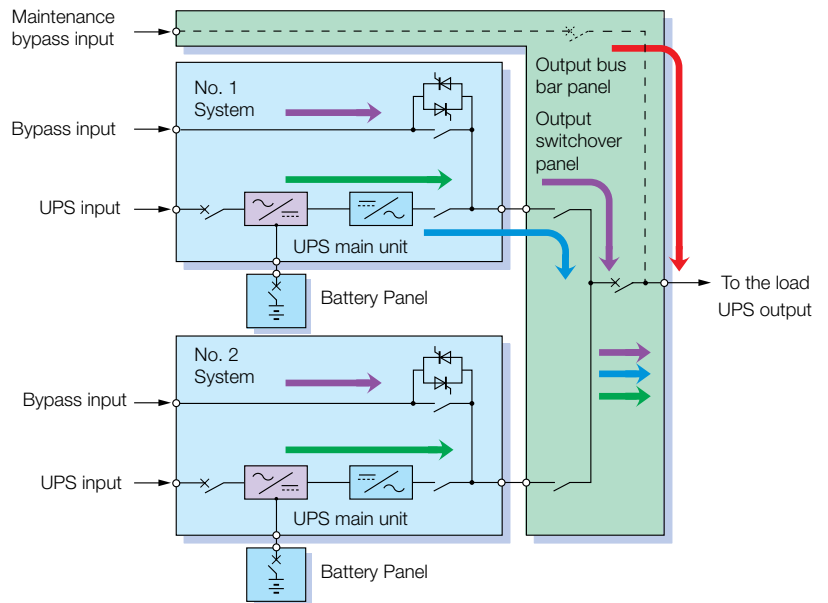
- 1 Redundant fans are standard, and encased in easy-to-access slides
- 2 All components are accessible from the front requiring no access through the rear, making this unit truly front accessible
- 3 Robust filter capacitors are more compact than traditional cap networks, saving space and never needing replacement
- 4 Color touchscreen display shows vital information clearly, and in easy-to-use menus



Options, Monitoring, & Service

Built-In Design Flexibility

- Single or dual-input configurations to work with a multitude of site designs
- Single module or parallel installations
- Parallel up to eight modules
- Battery cabinets
- Input and output paralleling switchboards
- Maintenance Bypass Cabinets (MBP)
- Battery Disconnects
- PDUs, RPPs, and custom distribution



Monitoring Options

- SNMP
- Modbus RTU, ASCII modes, and TCP-IP modes
- Programmable dry contacts

Service Providers

Fuji Electric's Factory Technicians and its network of Certified Service Providers furnish factory trained technicians to service and support Fuji Electric's UPSs throughout North America.

Preventative Maintenance

Periodic inspection, calibration, and adjustment of the UPS's control and monitoring systems are highly recommended to ensure continued optimal performance and the highest level of reliability. Regular maintenance can help detect early signs of degradation in components such as air filters, capacitors and fans, and allows for timely repair minimizing the risk of the UPS unexpectedly failing. Fuji Electric has a maintenance plan for every site's needs.


Maintenance Agreements

Custom-tailored maintenance agreement packages are available to provide the service support appropriate to your needs and budget, while maximizing the performance and life of your Fuji Electric UPSs. Site-specific service agreements range from basic preventive maintenance visits to extended warranty programs, 24/7/365 coverage, and discounts on replacement parts.

Warranty

Fuji Electric UPSs are supported by our best-in-industry three-year parts and labor warranty, and includes a 24/7/365 tech support and service hotline.

Engineered Like No Other



Our breakthrough innovations with power electronics technologies have led to the development of our large capacity UPS system, which provides unparalleled efficiency and superior reliability. With over 40 years of UPS development and manufacturing experience, Fuji Electric's X-Series UPS is the UPS equipped with our own patented components for optimal performance when it counts the most.

Trusted Globally

For almost 100 years, Fuji Electric has been manufacturing products for mission critical applications including data centers, power plants and hospitals. Customers around the world rely on Fuji Electric, for products ranging from the smallest IGBT to large power generation systems. We have maintained an unwavering commitment to engineering and R&D, refusing to compromise on quality and reliability. This goes hand in hand with our company's dedication to the environment, influencing our innovative products that seek to conserve, manage and produce energy.

Information in this document is subject to change without notice. Fuji Electric Corp. of America (FEA) reserves the right, without prior notice, to update information, make product changes, or to discontinue any product or service identified in this publication. FEA shall not be liable for technical or editorial omissions or mistakes in this document, nor shall be liable for incidental damages resulting from the use of information contained in this document. This document is copyrighted. No part of this document may be photocopied and reproduced in any form without the prior written consent of FEA.
© Copyright 2018 Fuji Electric Corp. of America