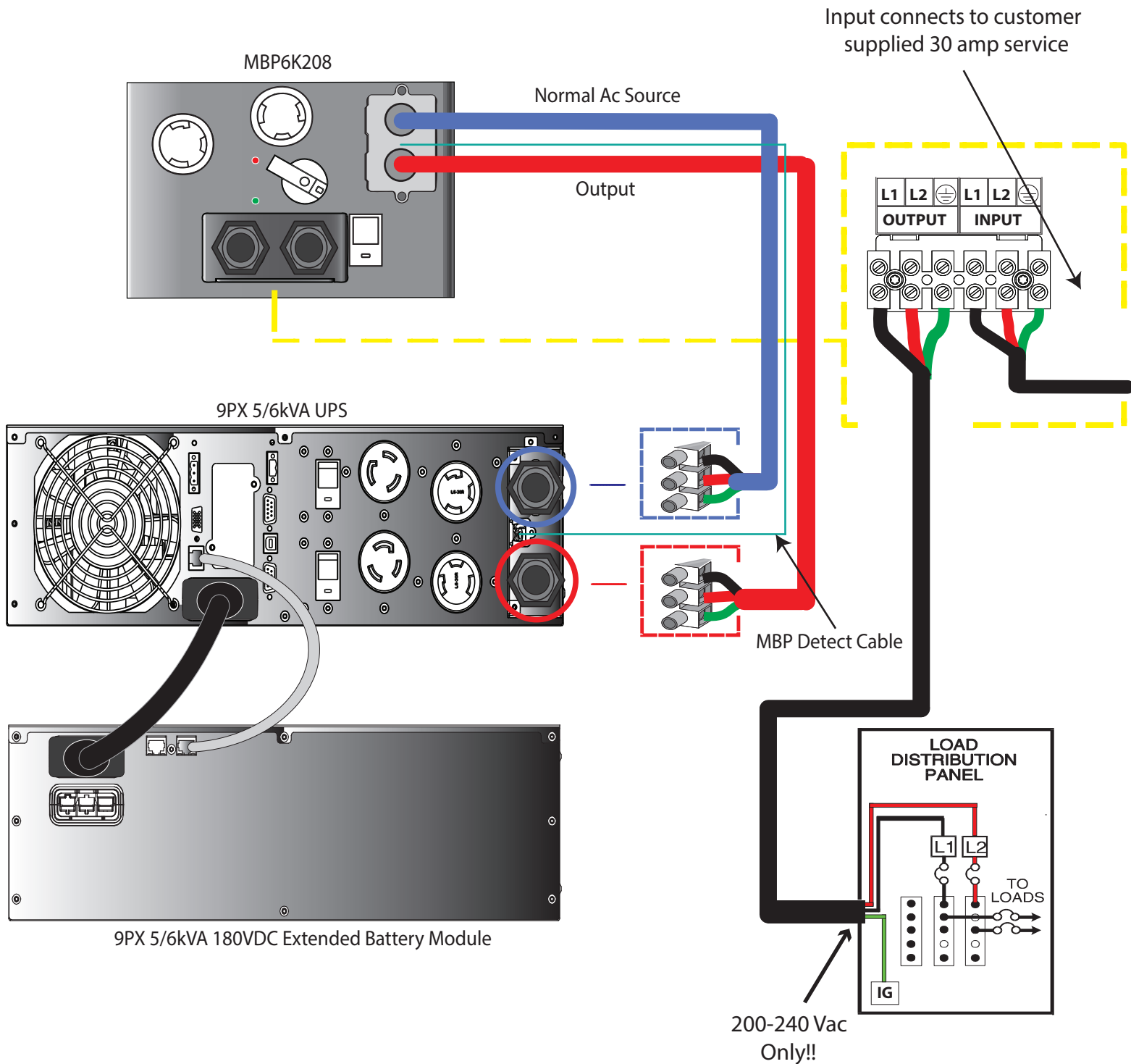


9PX 5 / 6 kVA UPS with a MBP6K208 Bypass Module and 180 VDC EBM Interconnect Diagram



Input connects to customer supplied 30 amp service

Normal Ac Source

Output

MBP6K208

9PX 5/6kVA UPS

9PX 5/6kVA 180VDC Extended Battery Module

MBP Detect Cable

LOAD DISTRIBUTION PANEL

200-240 Vac Only!!

- **Use of the MBP6K208 requires the 9PX UPS line cord be removed
- **Use the supplied cable with the MBP6K208 for input and output connections